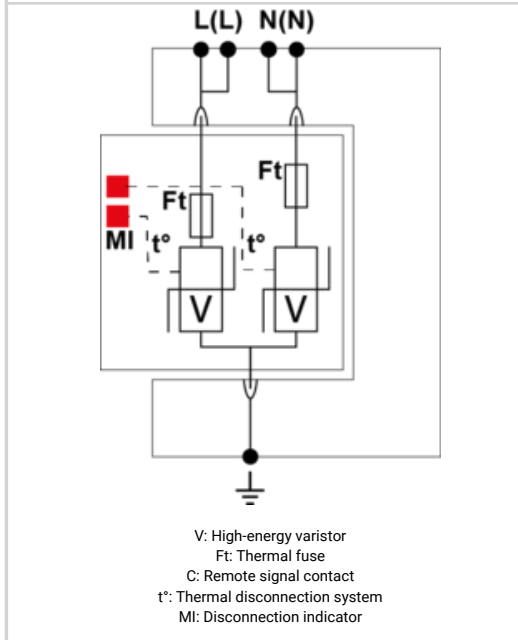
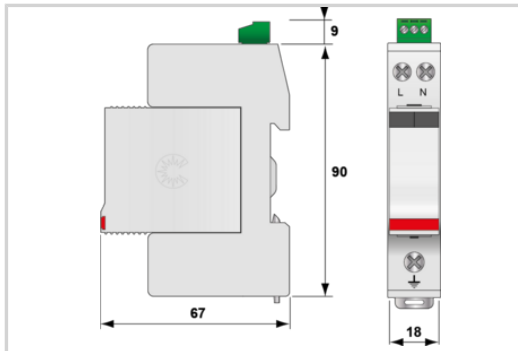


DS240S-400-Ex



- UL121201 Hazardous Locations
- MOV Technology
- UL1449 Type 4CA
- 40kA Surge Current Rating
- Visual fault indicator and remote contacts
- 10-Year warranty



| Electrical Characteristics | | | |
|---|-----------------|--|-------------------------------|
| Total Maximum discharge current max. total withstand @ 8 /20 μs | Imax Total | | 80 kA |
| Protection mode(s) | | | Common mode/Differential mode |
| POWER SPD TYPE | | | UL1449 5th Ed. TYPE 4CA |
| AC/DC/DC PV/RF | | | AC |
| PHASE | (PH) | | 1S |
| AMPS | (A) | | N/A |
| AMBIENT MIN | (C) | | -35 |
| AMBIENT MAX | (C) | | +60 |
| MODES | | | L-N, L-G, N-G |
| MLV | (V) | | 3740/-/2410/- |
| MCOV | (V) | | 600/-/400/- |
| IN15 impulses 8/20μs | (kA) | | 20 |
| SCCR | (kA) | | n/a |
| IMAX8/20μs | (kA) | | 40 |
| Option | | | |
| Remote status dry contact electrical ratingMax Voltage | V | | 250.0000 |
| Remote status dry contact electrical ratingMax Current | A | | 0.5000 |
| RFI Filter | | | No |
| Installation | | | |
| Wiring type | | | screw |
| Solid wire cross sectionMin | mm ² | | 1.5000 |
| Solid Wire cross sectionMax | mm ² | | 16.0000 |
| Stranded Wire cross sectionMin | mm ² | | 1.5000 |
| Stranded wire cross sectionMax | mm ² | | 10.0000 |
| Wire gaugeMin | AWG | | 15.0000 |
| Wire gaugeMax | AWG | | 5.0000 |
| Torque | Nm | | 1.2-1.5 |
| Torque | in-lbs | | 10.6-13.3 |
| Strip Length | mm | | 16.0000 |
| Strip Length | in | | 0.6300 |
| Operating TemperatureMin | °C | | -40.0000 |
| Operating TemperatureMax | °C | | 85.0000 |
| Operating TemperatureMin | °F | | -40.0000 |
| Operating TemperatureMax | °F | | 85.0000 |
| Operating Relative HumidityMax | %RH | | 95 |
| Operating AltitudeMin | Ft | | 2000.0000 |
| Operating AltitudeMax | Ft | | 6500.0000 |
| Housing/Enclosure material | | | Thermoplastic |
| Flammability ratingUL 94 | | | V0 |
| Mounting | | | Rail Din |
| IP Environmental ratingIP | | | IP20 |
| Installation Location | | | Indoor / outdoor |
| Spare part | | | Module |
| Product DimensionL | mm | | 90.0000 |
| Product DimensionH | mm | | 67.0000 |
| Product DimensionW | mm | | 18.0000 |
| Product DimensionL | In | | 3.5400 |
| Product DimensionH | In | | 2.6300 |
| Product DimensionW | In | | 0.7100 |
| Miscellaneous | | | |
| Individual Pack | | | Yes |
| Storage TemperatureMin | °C | | -40.0000 |
| Storage TemperatureMax | °C | | 85.0000 |
| Storage TemperatureMin | °F | | -40.0000 |

DS240S-400-Ex

| | | |
|-----------------------------------|-----|--|
| Storage TemperatureMax | °F | 85.0000 |
| Storage Relative HumidityMax | %RH | 95.0000 |
| Mechanical Characteristics | | |
| Weight | | 0.145 kg |
| TECHNOLOGY | | MOV |
| NETWORK CONFIGURATION | | 1PH, 2W+G, Single Phase (or 2PH, 2W+G, Two Phase) |
| CONNECTION METHOD | | SPD-Screw Terminal (8-12AWG), Terminal blocks 6AWG |
| MOUNTING | | DIN RAIL |
| MATERIAL | | Thermoplastic UL94-V0 |
| NEMA RATING (IP RATING) | | NEMA 2 (IP20) |
| FAIL-SAFE BEHAVIOR | | Disconnection via fuse-link |
| REAL-TIME DIAGNOSTICS | | Visual indicator and remote contacts |
| DIMENSIONS | | See diagram |
| WEIGHT | | 0.30 lbs |
| Standards | | |
| Certification | | UL Recognized |
| UL STANDARD | | UL1449 5th Edition & UL 121201 |
| UL CATEGORY | | VZCA2, VZCA8, VZCH, VZCH7 |
| UL FILE NUMBER | | E326289, E527348 |
| UL121201 HAZARDOUS LOCATION | | Class I, Division 2, Groups A, B, C & D: Operating. Temp. T5 |
| STANDARDS | | NOM-003-SCFI-2014, NOM-001-SCFI-1993 |
| ENVIRONMENTAL STANDARDS | | ROHS |
| Part number | | |
| 897010 | | |